

# VOLKSWAGEN

Group Motorsport

 **Audi Sport**  
customer racing

 **CUPRA**  
R A C I N G

**Volkswagen**  
Motorsport



## Fuel “T” new location

Application to:

- VAG cars with Sequential gear box
- VAG cars with DSG gear box

**TN\_VAG\_01/2018**

# TN\_VAG\_01\_18\_FUEL\_T\_LOCATION

Dear customers:

In order to improve the safety in case of accident, we propose to change the Fuel T location and some of its annexed components to place the "T" in a more protected position. (already installed on cars produced in 2018 )

## Parts to replace:

Parts	Reference to suppress	Qty.	New reference
FUEL T	5F6955488	1	5F6201883A
ENGINE SUPPORT	V3FL199262A	1	5F6199262A
ALLEN BOLT FROM ENGINE SUPORT TO FUEL T	VN0001152816	2	_N_10569501
COOLER FOR COOLANT RESERVOIR	_5Q0121407G	1	_5Q0121407H
COOLANT HOSE	_5Q0122109J	1	5F6122109

Parts to suppress:

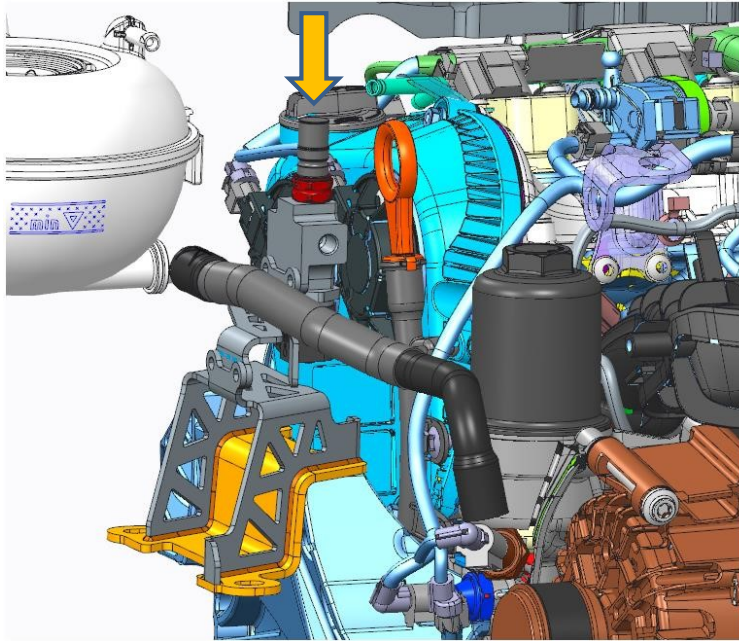
Parts	Reference	Qty.
COUPLING-RACORD CICLEUR-	5F6201101	1
HEXAGON COLLAR NUT M6	_N_01508210	2
WASHER M7 DIN125 12,9	VN0002000839	2

New parts:

Parts	Reference	Qty.
FUEL LINE TO ENGINE	8V6133986	1
RACORD ADAPTER	VN0005170500	1
LINE BRACKET	_5Q0133687	1

# TN\_VAG\_01\_18\_FUEL\_T\_LOCATION

OLD FUEL T



NEW FUEL T

