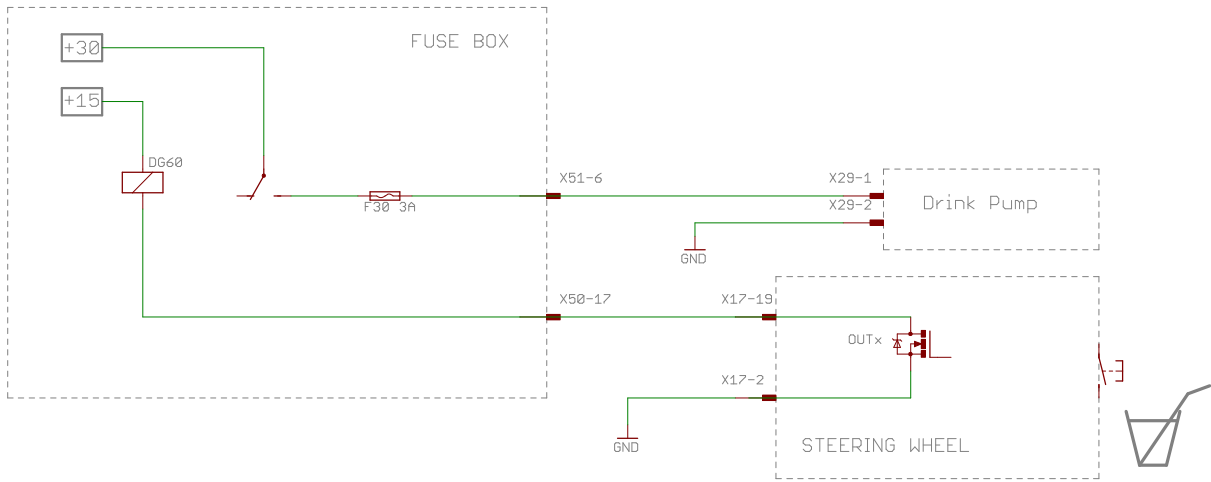
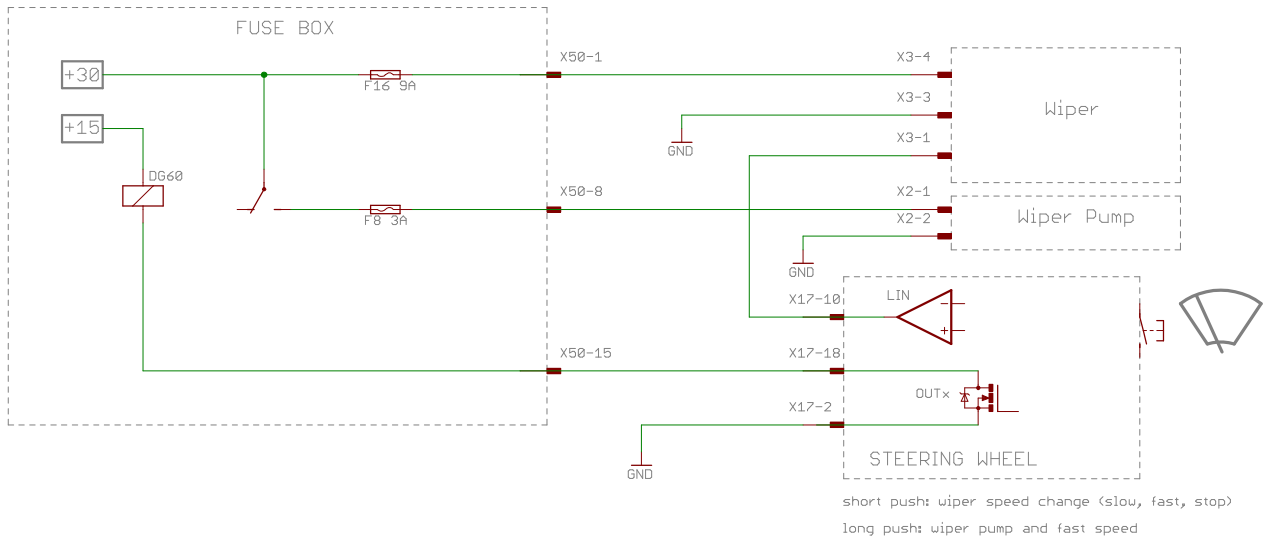


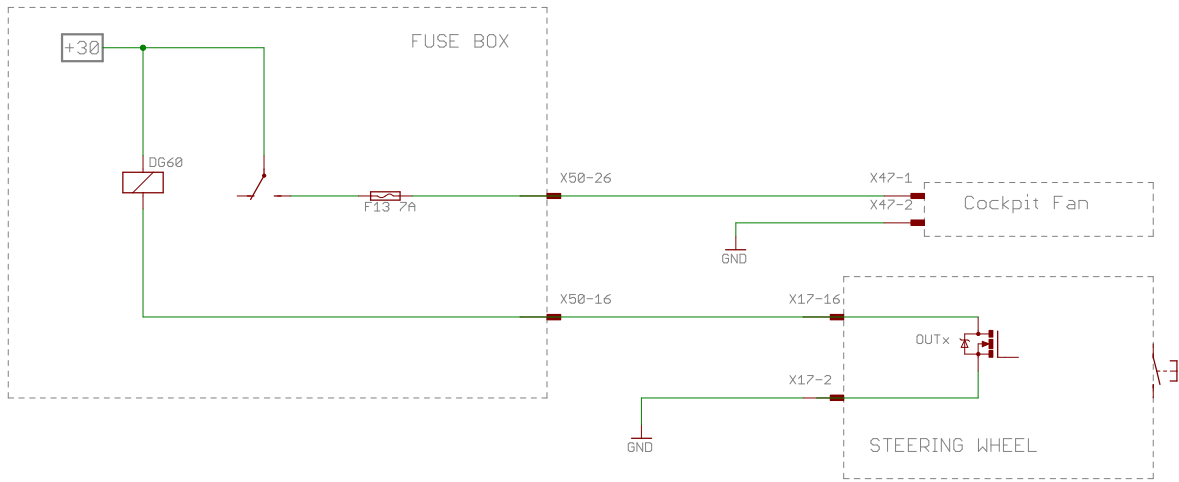
VOLKSWAGEN		
<small>AKTIENGESELLSCHAFT</small>		
TITLE: CUPRA_TCR_schematic_details		
Document Number:	STARTER	REV:
Date: 22/01/2018 17:06:58	Sheet: 1/30	



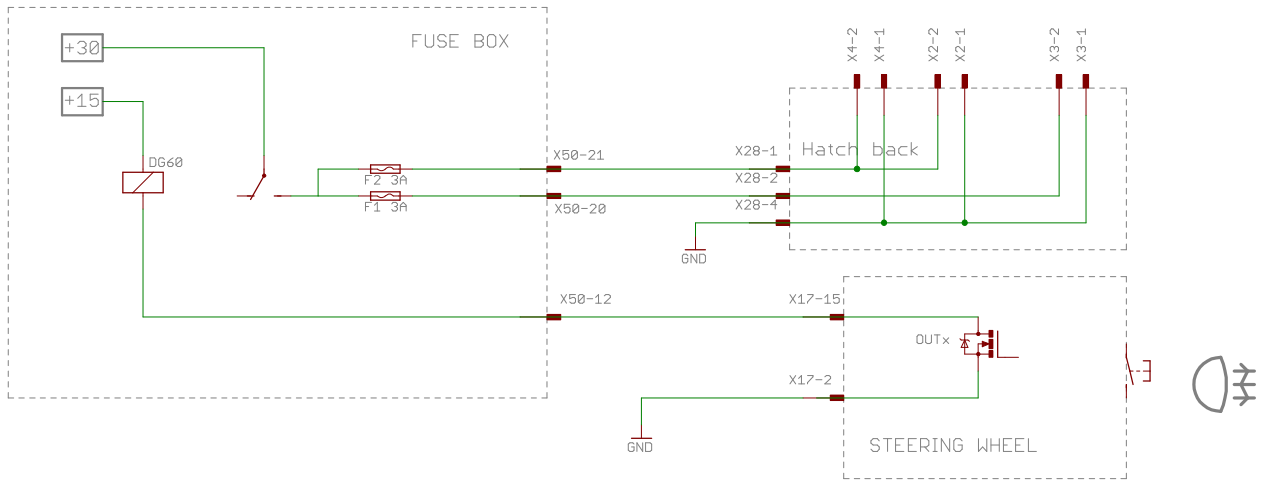
VOLKSWAGEN		
<small>AKTIENGESELLSCHAFT</small>		
TITLE: CUPRA_TCR_schematic_details		
Document Number:	DRINK	REV:
Date: 22/01/2018 17:06:58	Sheet: 2/30	



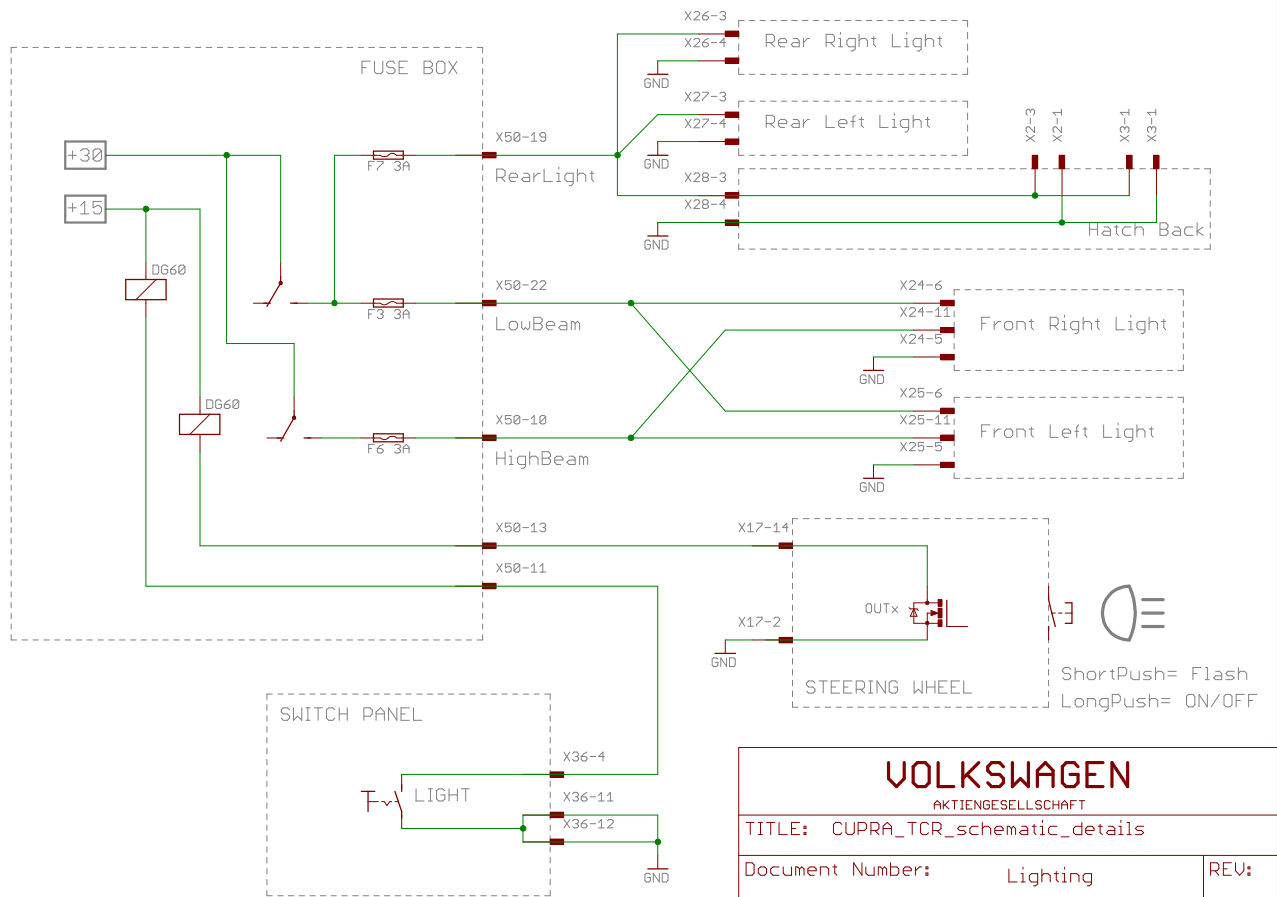
VOLKSWAGEN		
<small>AKTIENGESELLSCHAFT</small>		
TITLE: CUPRA_TCR_schematic_details		
Document Number:	WIPER	REV:
Date: 22/01/2018 17:06:58	Sheet: 3/30	



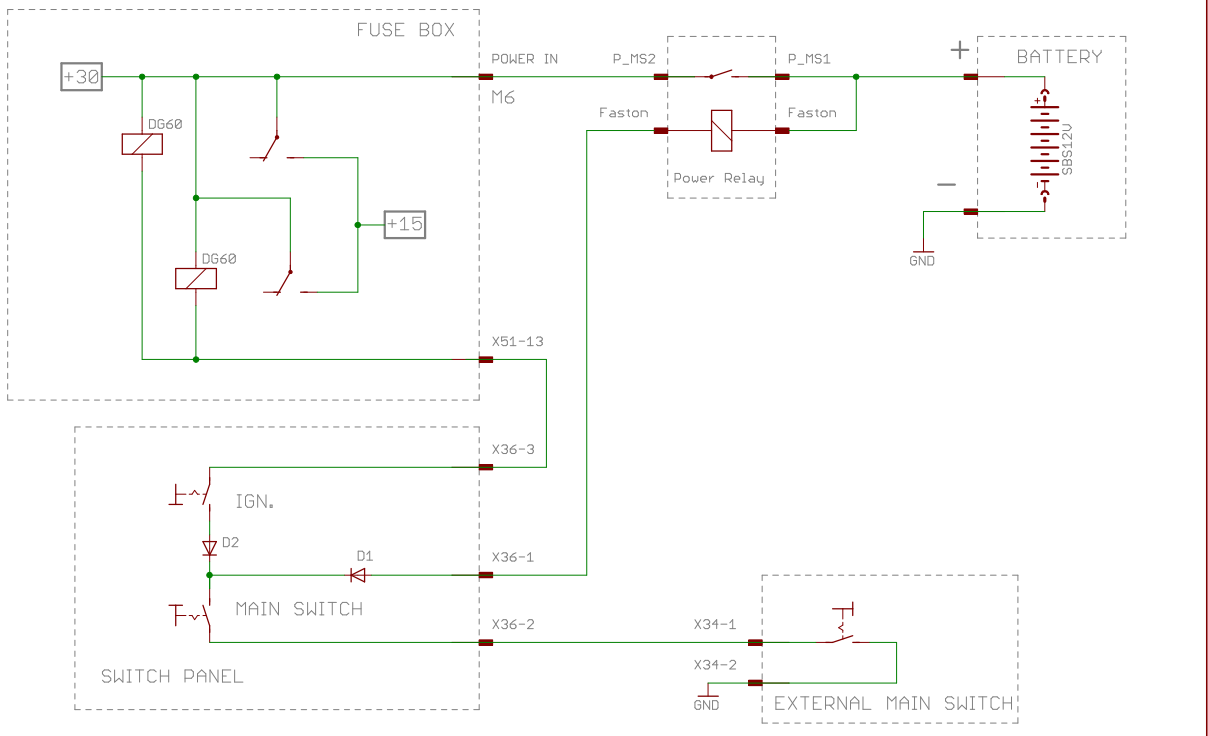
VOLKSWAGEN		
<small>AKTIENGESELLSCHAFT</small>		
TITLE: CUPRA_TCR_schematic_details		
Document Number:	Cockpit FAN	REV:
Date: 22/01/2018 17:06:58	Sheet: 4/30	



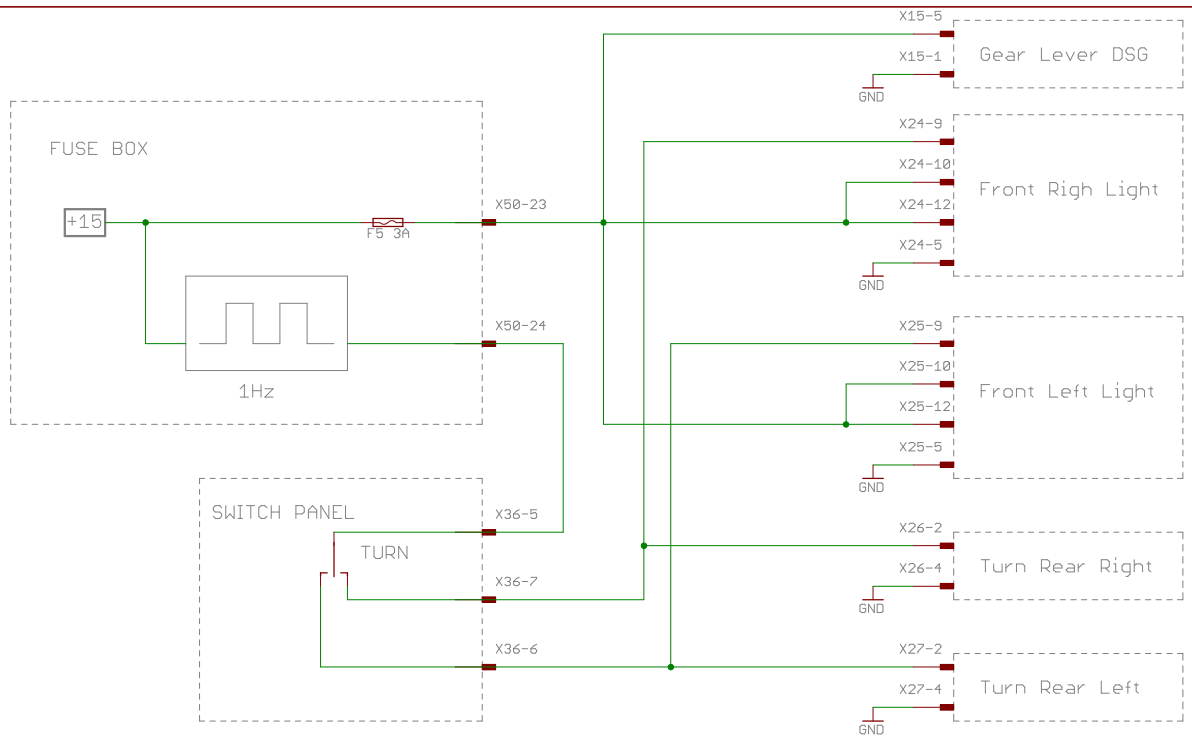
VOLKSWAGEN		
<small>AKTIENGESELLSCHAFT</small>		
TITLE: CUPRA_TCR_schematic_details		
Document Number:	Rain Light GOLF	REV:
Date: 22/01/2018 17:06:58	Sheet: 5/30	



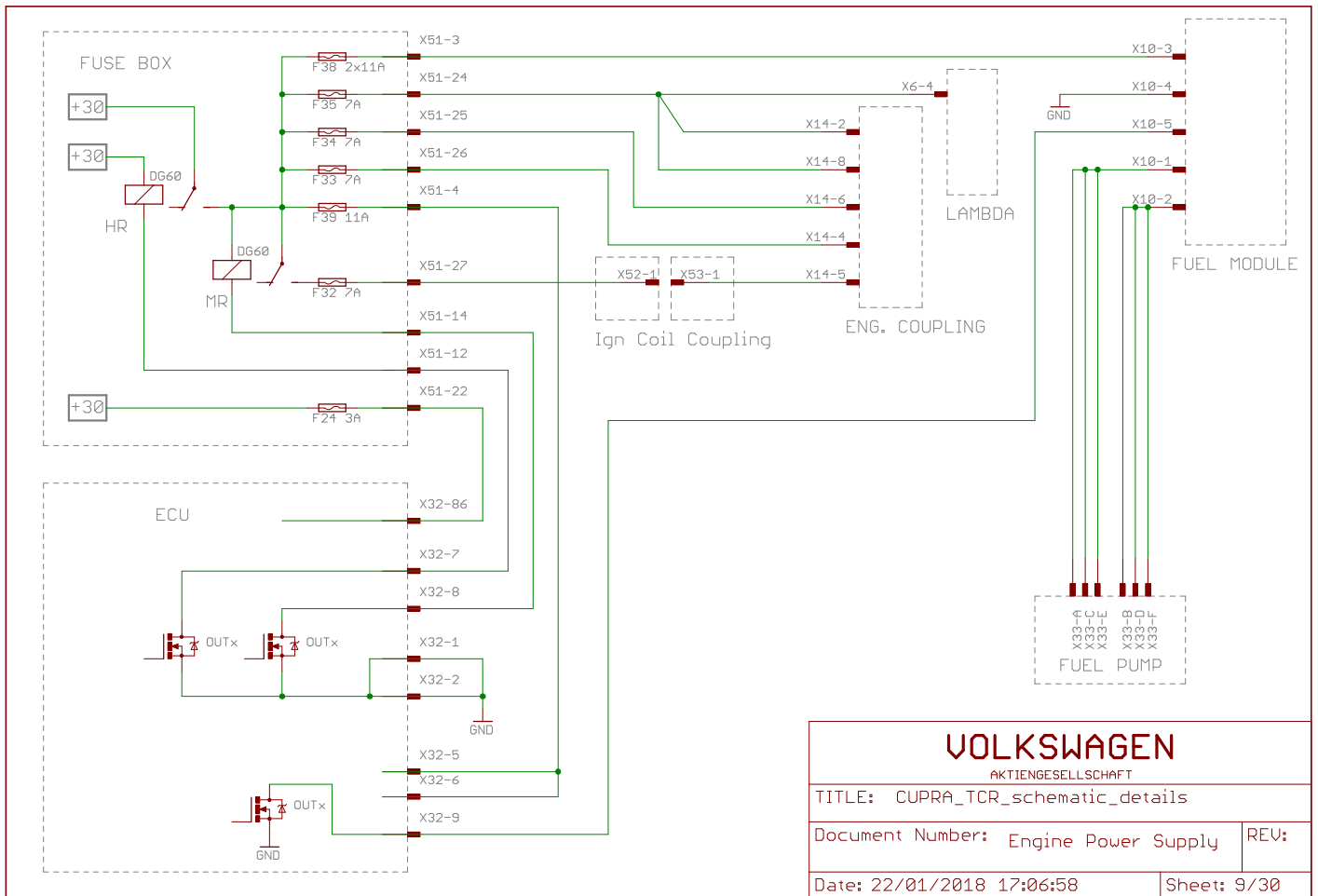
VOLKSWAGEN		
AKTIENGESELLSCHAFT		
TITLE: CUPRA_TCR_schematic_details		
Document Number:	Lighting	REV:
Date: 22/01/2018 17:06:58	Sheet: 6/30	



VOLKSWAGEN	
AKTIENGESELLSCHAFT	
TITLE: CUPRA_TCR_schematic_details	
Document Number: MainSwitch / Ignition	REV:
Date: 22/01/2018 17:06:58	Sheet: 7/30



VOLKSWAGEN		
<small>AKTIENGESELLSCHAFT</small>		
TITLE: CUPRA_TCR_schematic_details		
Document Number:	Turn and Day Light	REV:
Date: 22/01/2018 17:06:58	Sheet: 8/30	



VOLKSWAGEN

AKTIENGESELLSCHAFT

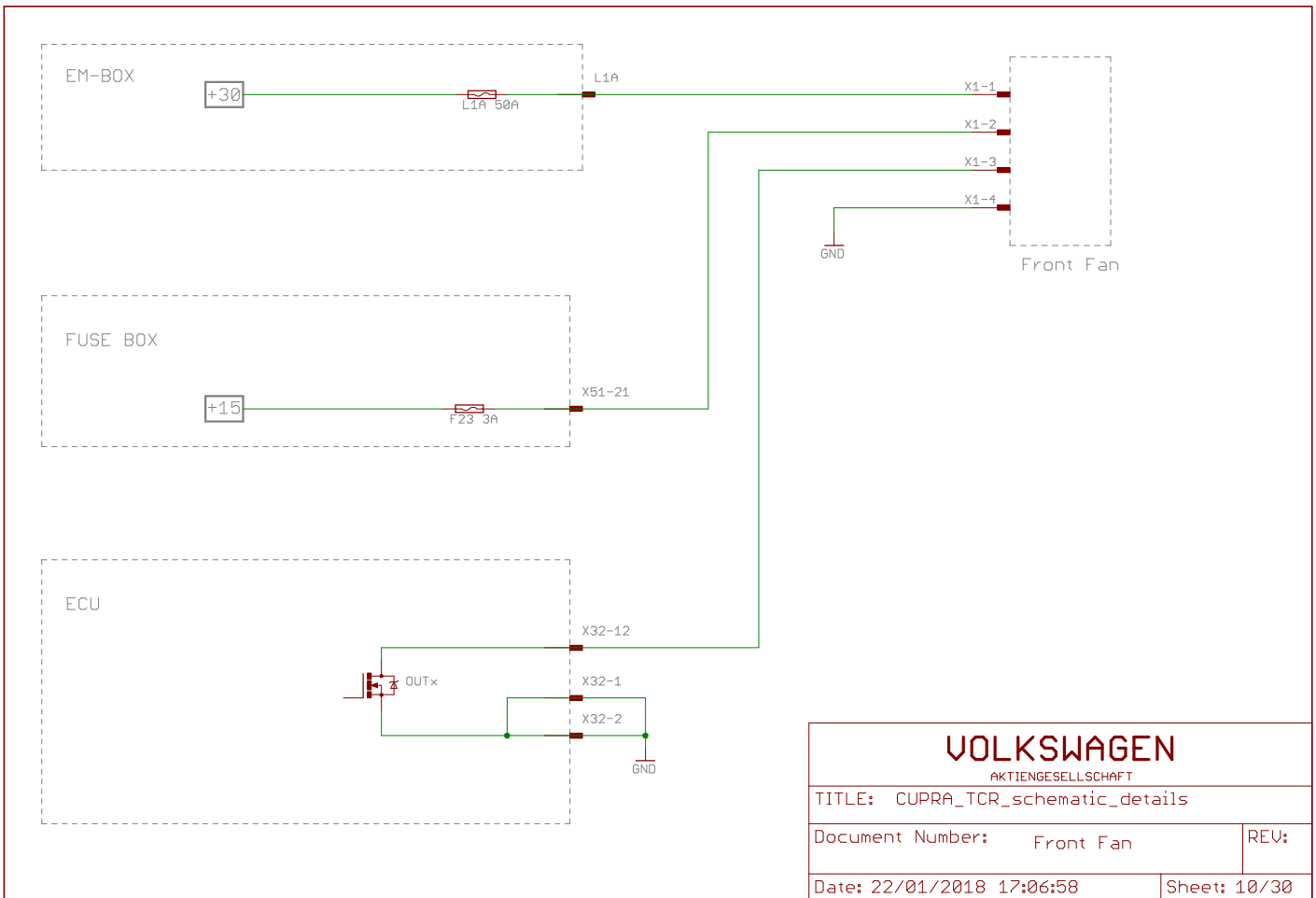
TITLE: CUPRA_TCR_schematic_details

Document Number: Engine Power Supply

REV:

Date: 22/01/2018 17:06:58

Sheet: 9/30



VOLKSWAGEN

AKTIENGESELLSCHAFT

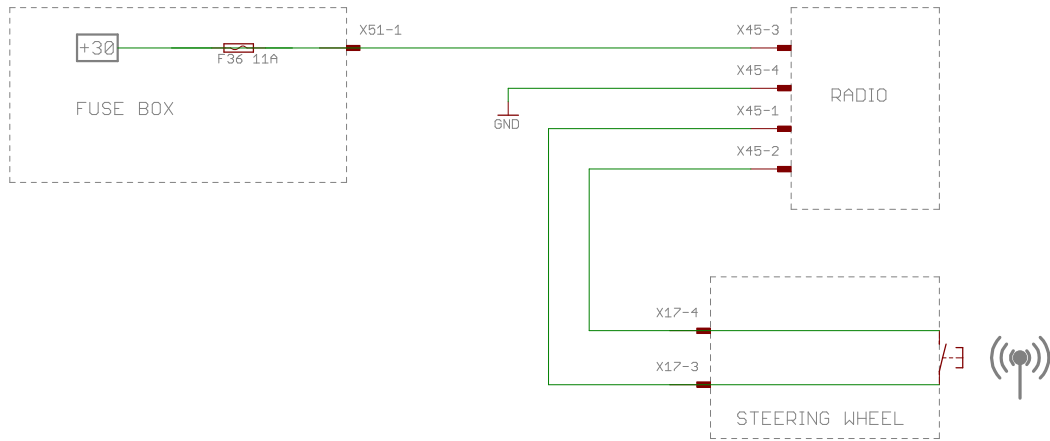
TITLE: CUPRA_TCR_schematic_details

Document Number: Front Fan

REV:

Date: 22/01/2018 17:06:58

Sheet: 10/30



VOLKSWAGEN

AKTIENGESELLSCHAFT

TITLE: CUPRA_TCR_schematic_details

Document Number:

Radio

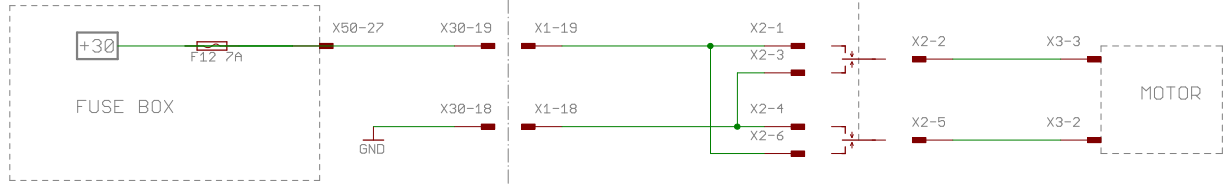
REV:

Date: 22/01/2018 17:06:58

Sheet: 11/30

KSK

DOOR WIRING



VOLKSWAGEN

AKTIENGESELLSCHAFT

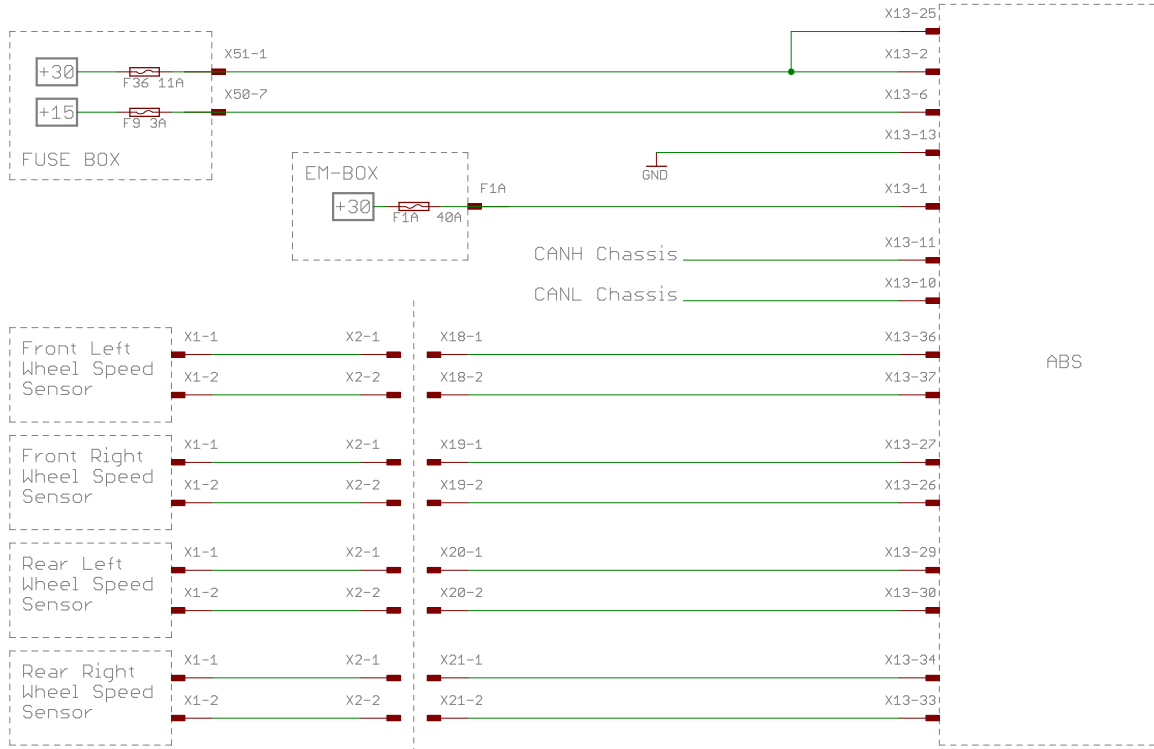
TITLE: CUPRA_TCR_schematic_details

Document Number: Window

REV:

Date: 22/01/2018 17:06:58

Sheet: 12/30



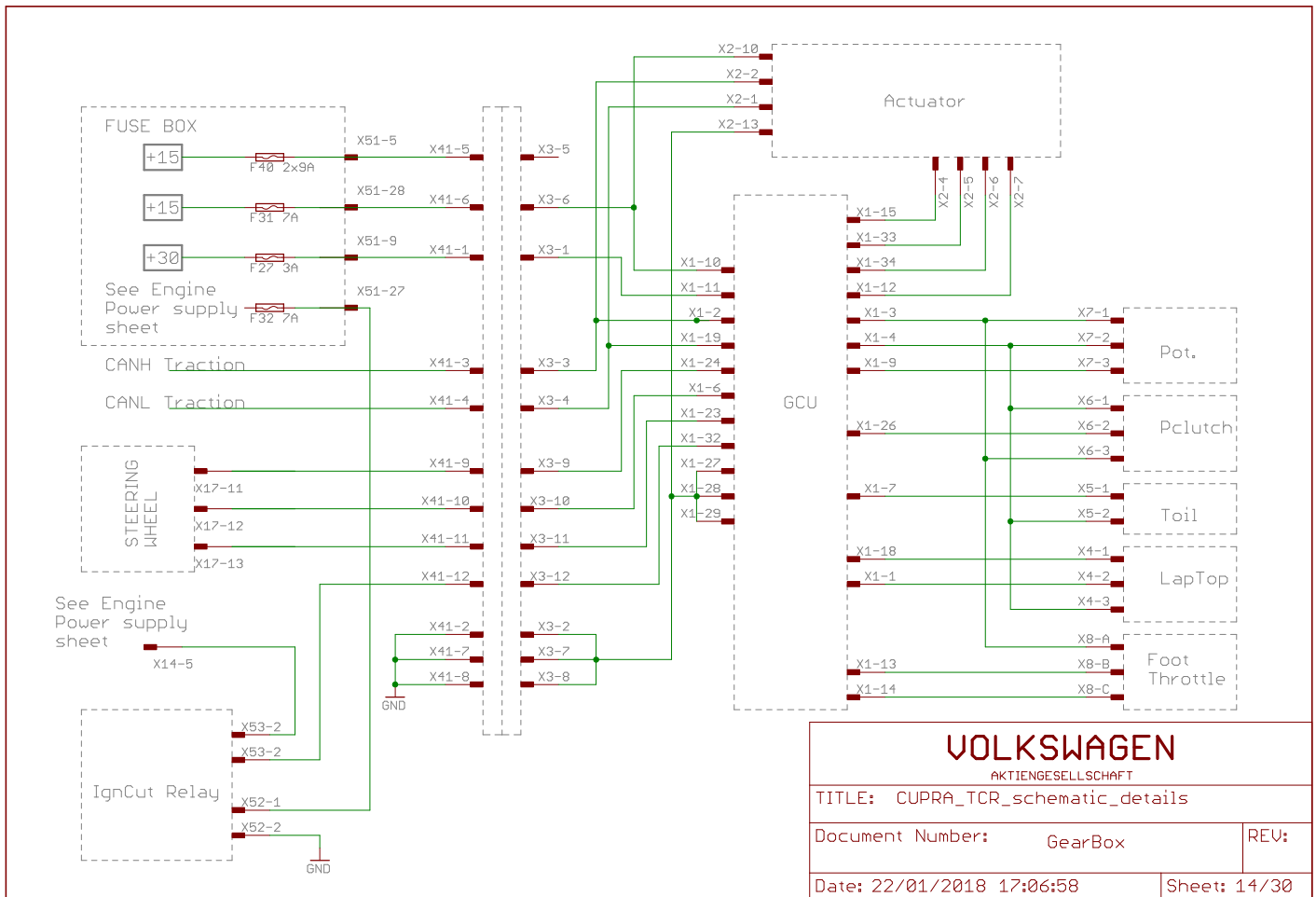
VOLKSWAGEN

AKTIENGESELLSCHAFT

TITLE: CUPRA_TCR_schematic_details

Document Number: ABS REV:

Date: 22/01/2018 17:06:58 Sheet: 13/30



VOLKSWAGEN

AKTIENGESELLSCHAFT

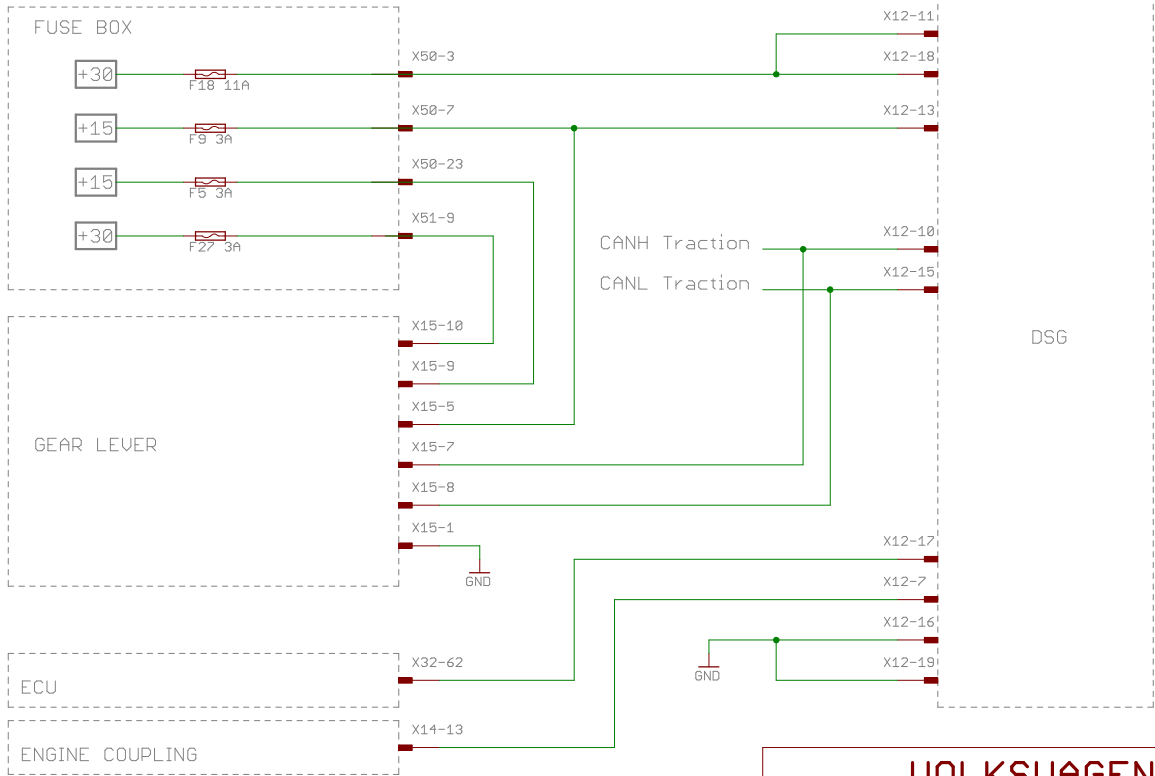
TITLE: CUPRA_TCR_schematic_details

Document Number: GearBox

REV:

Date: 22/01/2018 17:06:58

Sheet: 14/30



VOLKSWAGEN

AKTIENGESELLSCHAFT

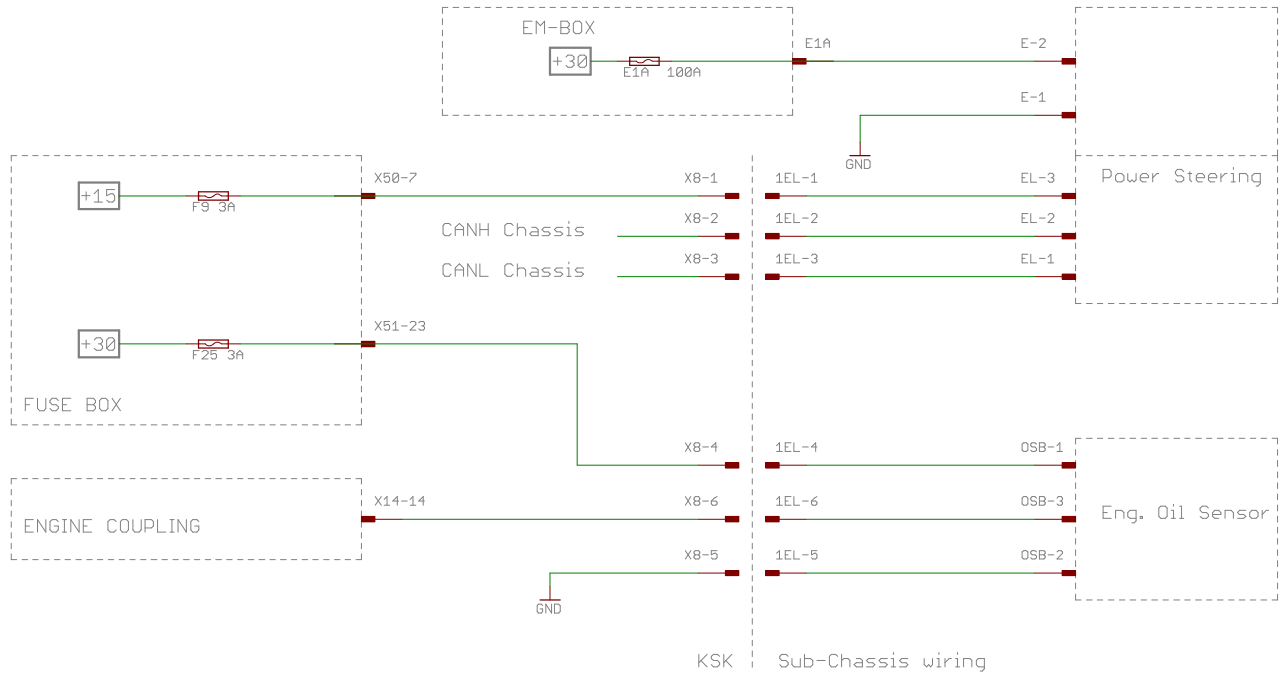
TITLE: CUPRA_TCR_schematic_details

Document Number: DSG

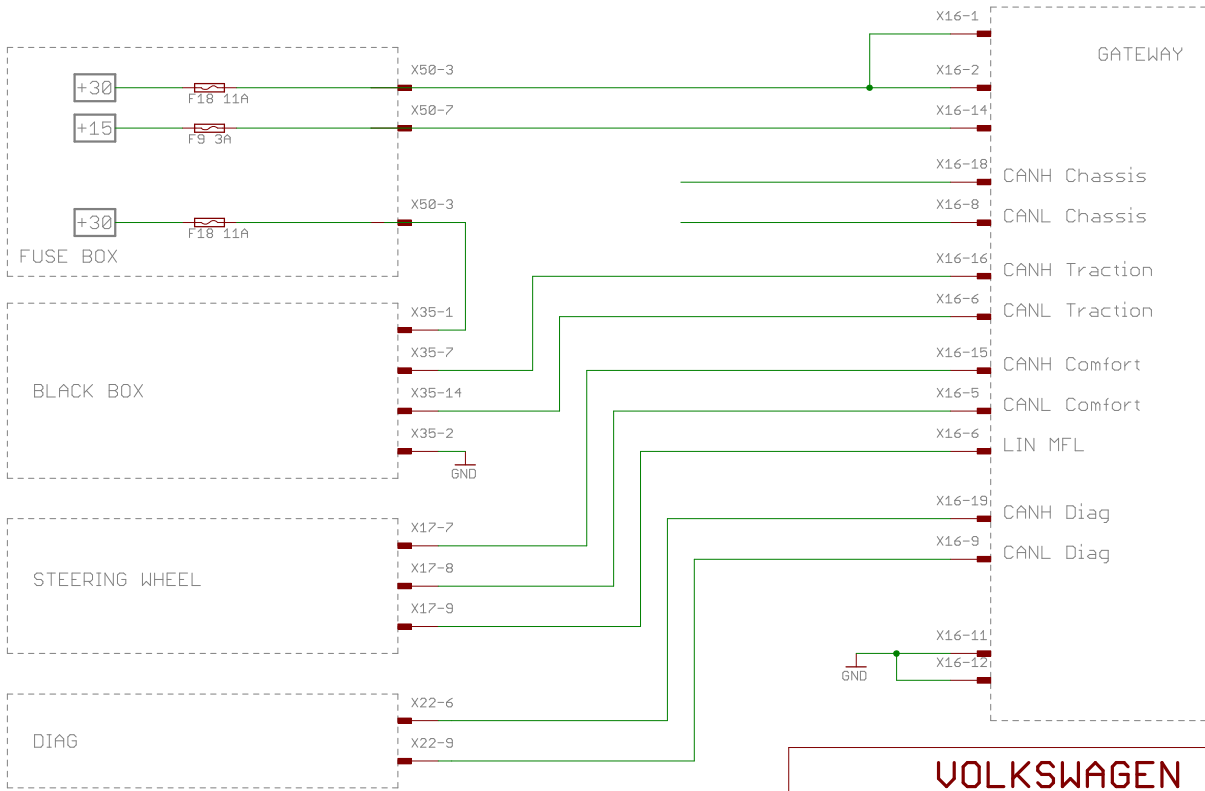
REV:

Date: 22/01/2018 17:06:58

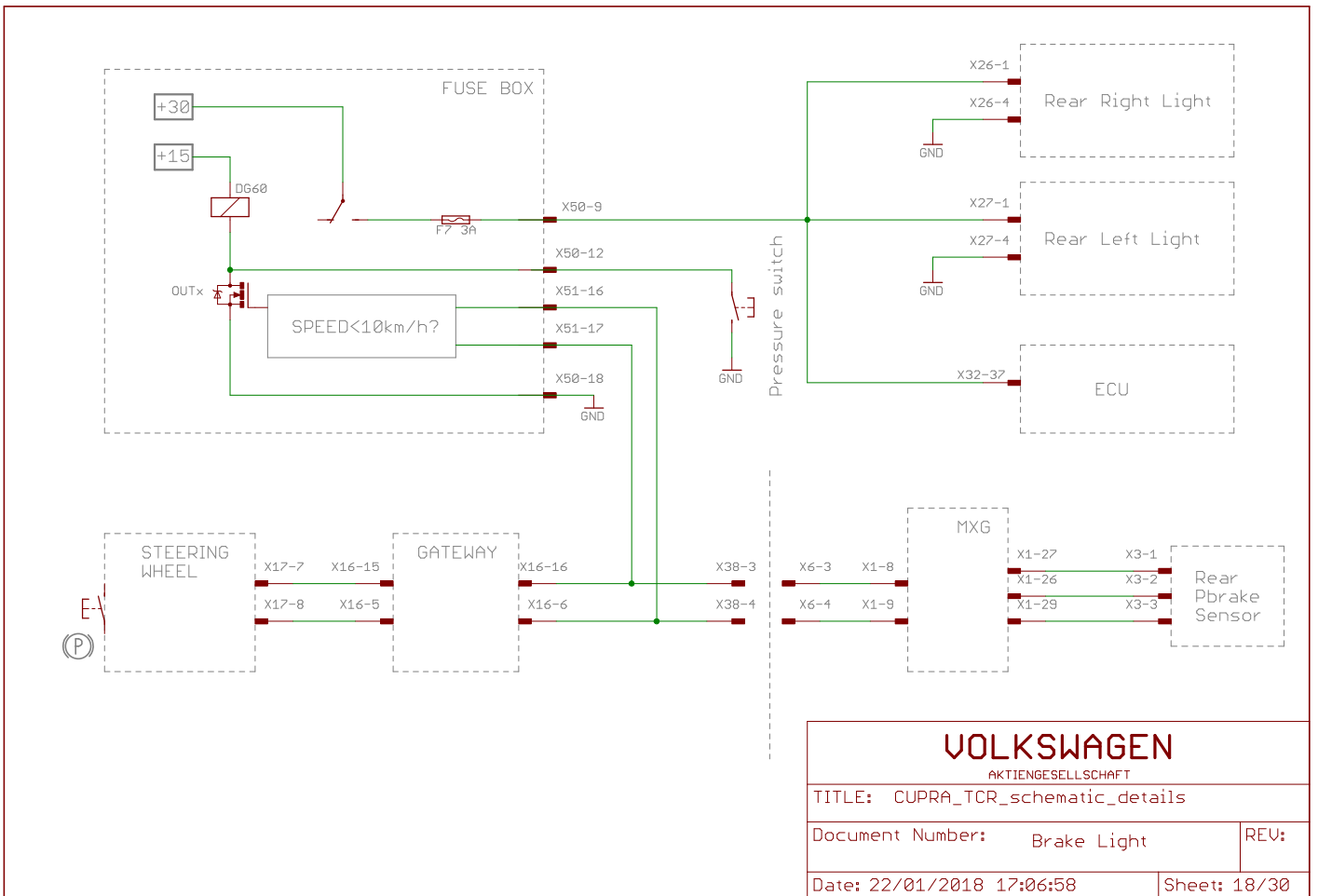
Sheet: 15/30



VOLKSWAGEN		
<small>AKTIENGESELLSCHAFT</small>		
TITLE: CUPRA_TCR_schematic_details		
Document Number:	POWER STEERING	REV:
Date: 22/01/2018 17:06:58	Sheet: 16/30	



VOLKSWAGEN	
<small>AKTIENGESELLSCHAFT</small>	
TITLE: CUPRA_TCR_schematic_details	
Document Number: GATEWAY / BLACKBOX	REV:
Date: 22/01/2018 17:06:58	Sheet: 17/30



VOLKSWAGEN

AKTIENGESELLSCHAFT

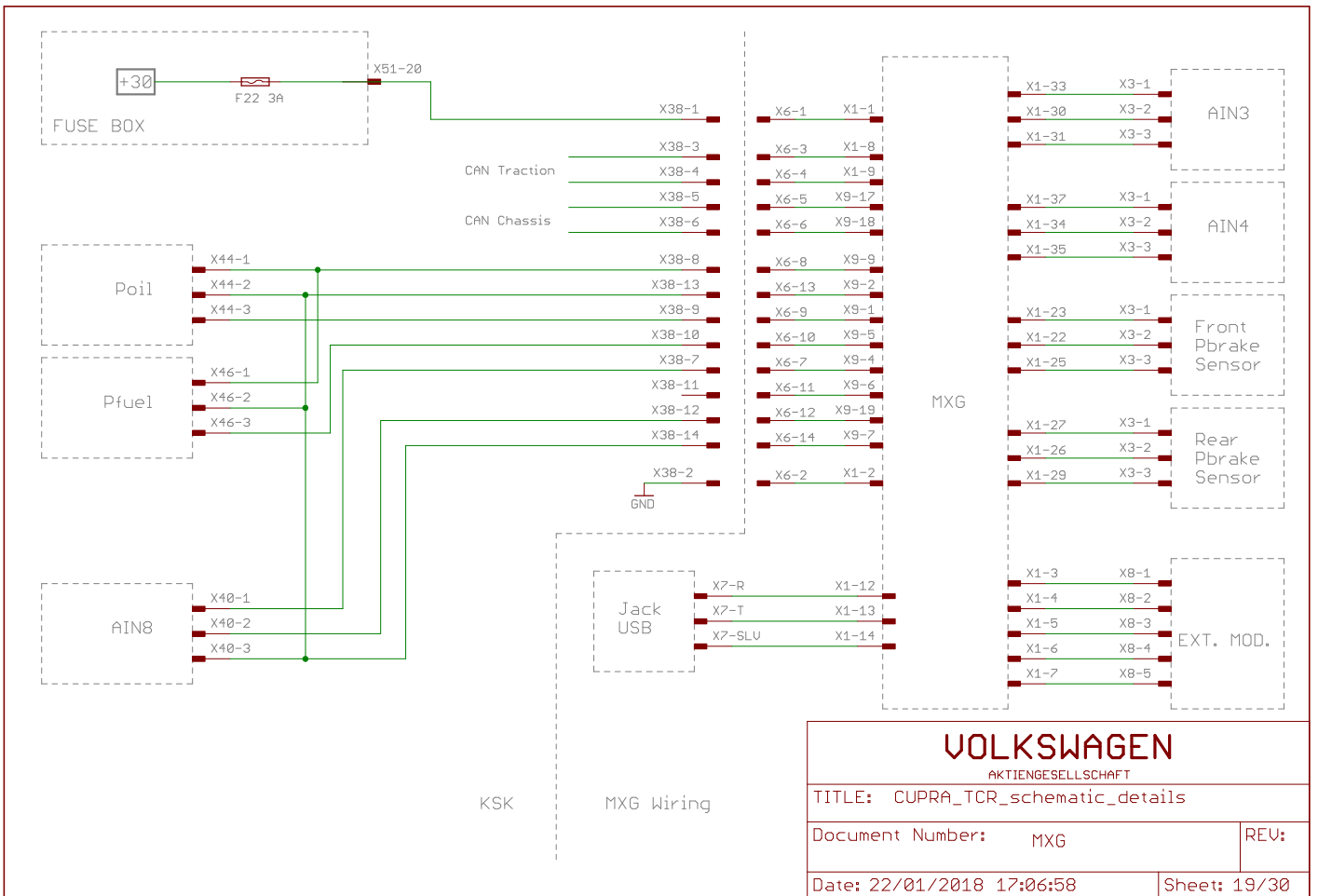
TITLE: CUPRA_TCR_schematic_details

Document Number: Brake Light

REV:

Date: 22/01/2018 17:06:58

Sheet: 18/30



VOLKSWAGEN

AKTIENGESELLSCHAFT

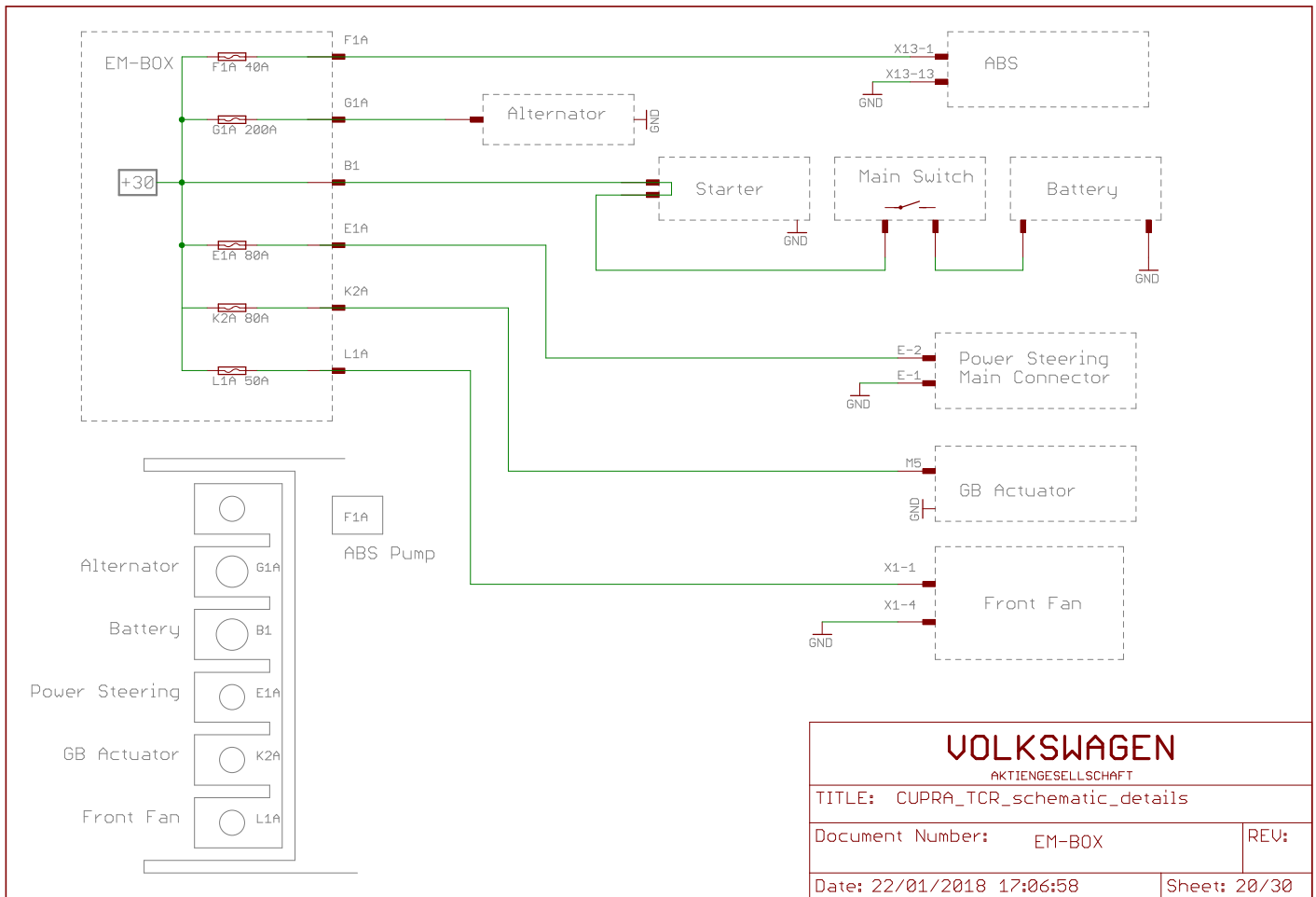
TITLE: CUPRA_TCR_schematic_details

Document Number: MXG

REV:

Date: 22/01/2018 17:06:58

Sheet: 19/30



VOLKSWAGEN

AKTIENGESELLSCHAFT

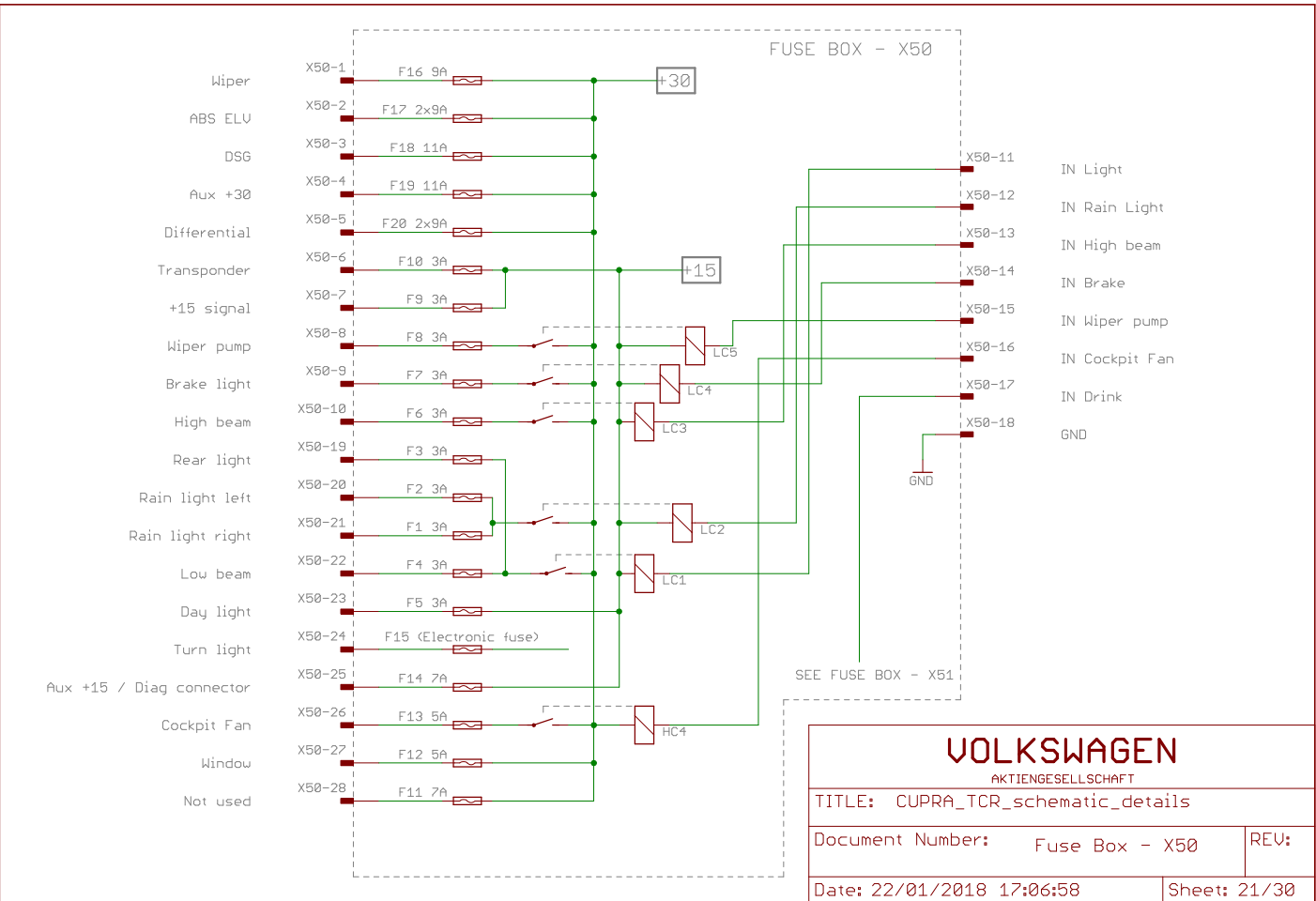
TITLE: CUPRA_TCR_schematic_details

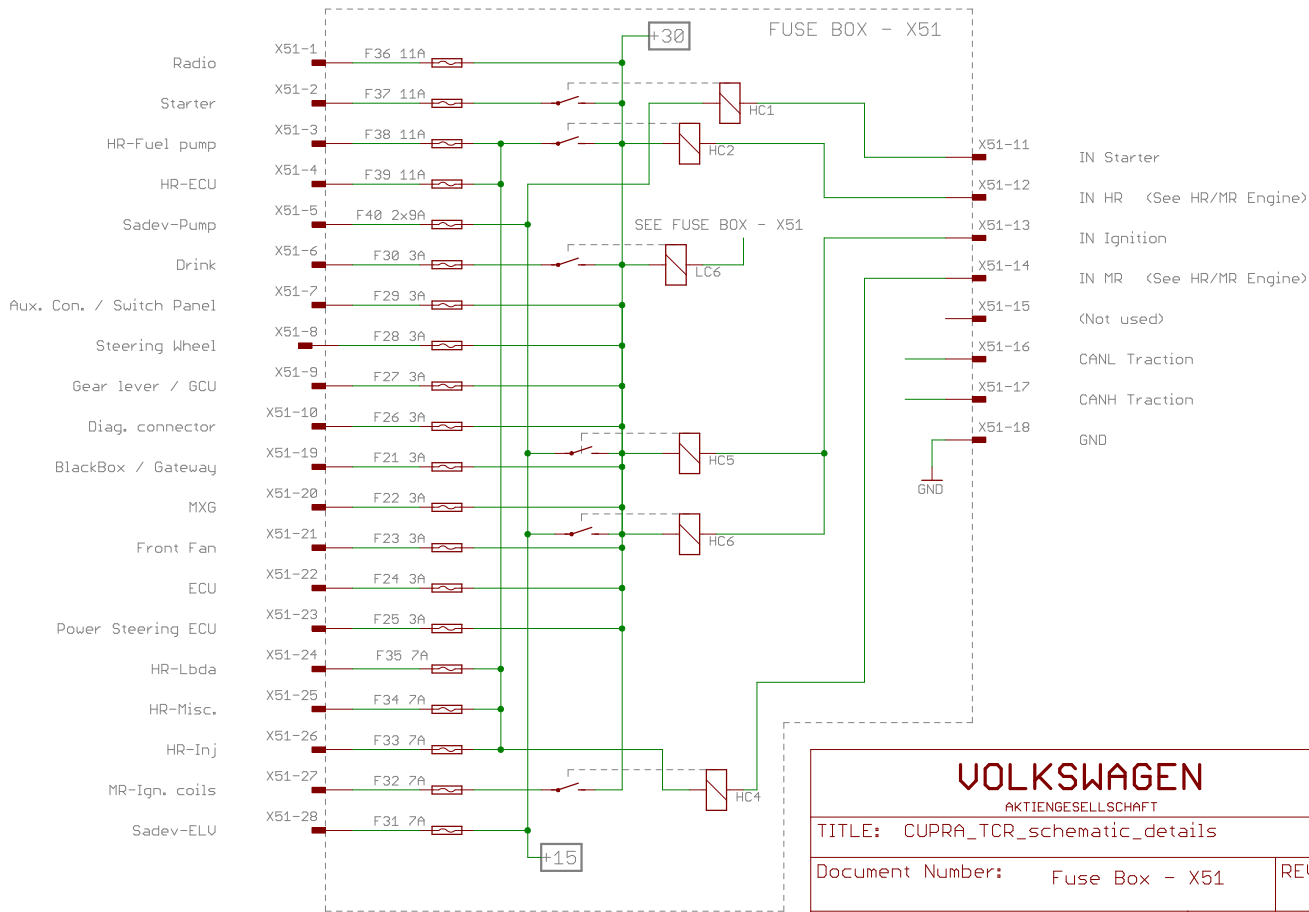
Document Number: EM-B0X

REV:

Date: 22/01/2018 17:06:58

Sheet: 20/30





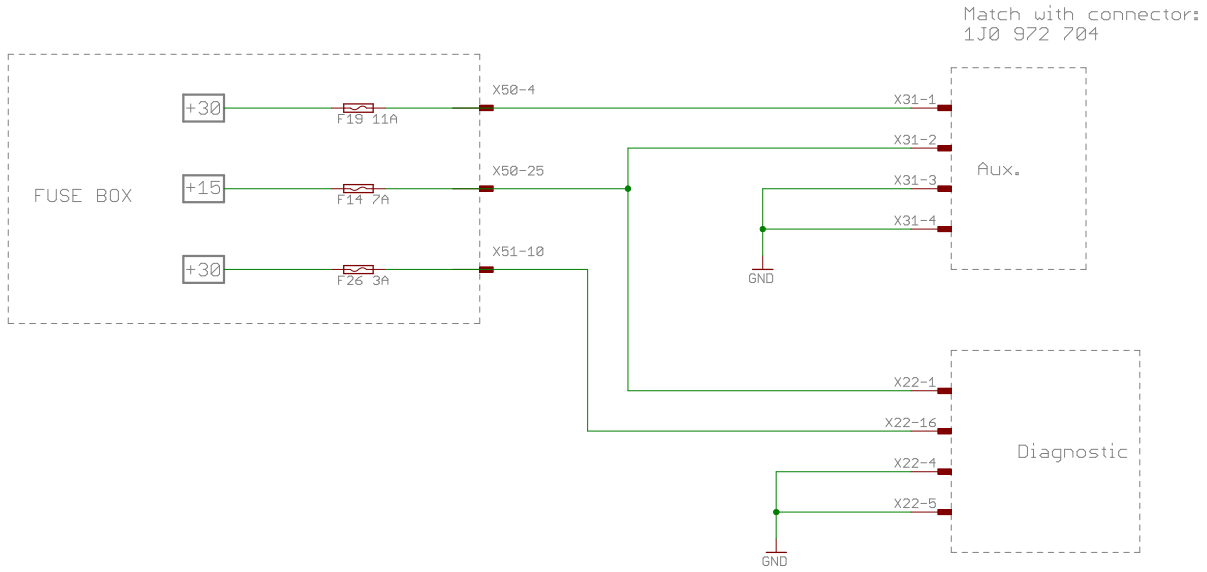
VOLKSWAGEN

AKTIENGESELLSCHAFT

TITLE: CUPRA_TCR_schematic_details

Document Number: Fuse Box - X51 REV:

Date: 22/01/2018 17:06:58 Sheet: 22/30



VOLKSWAGEN

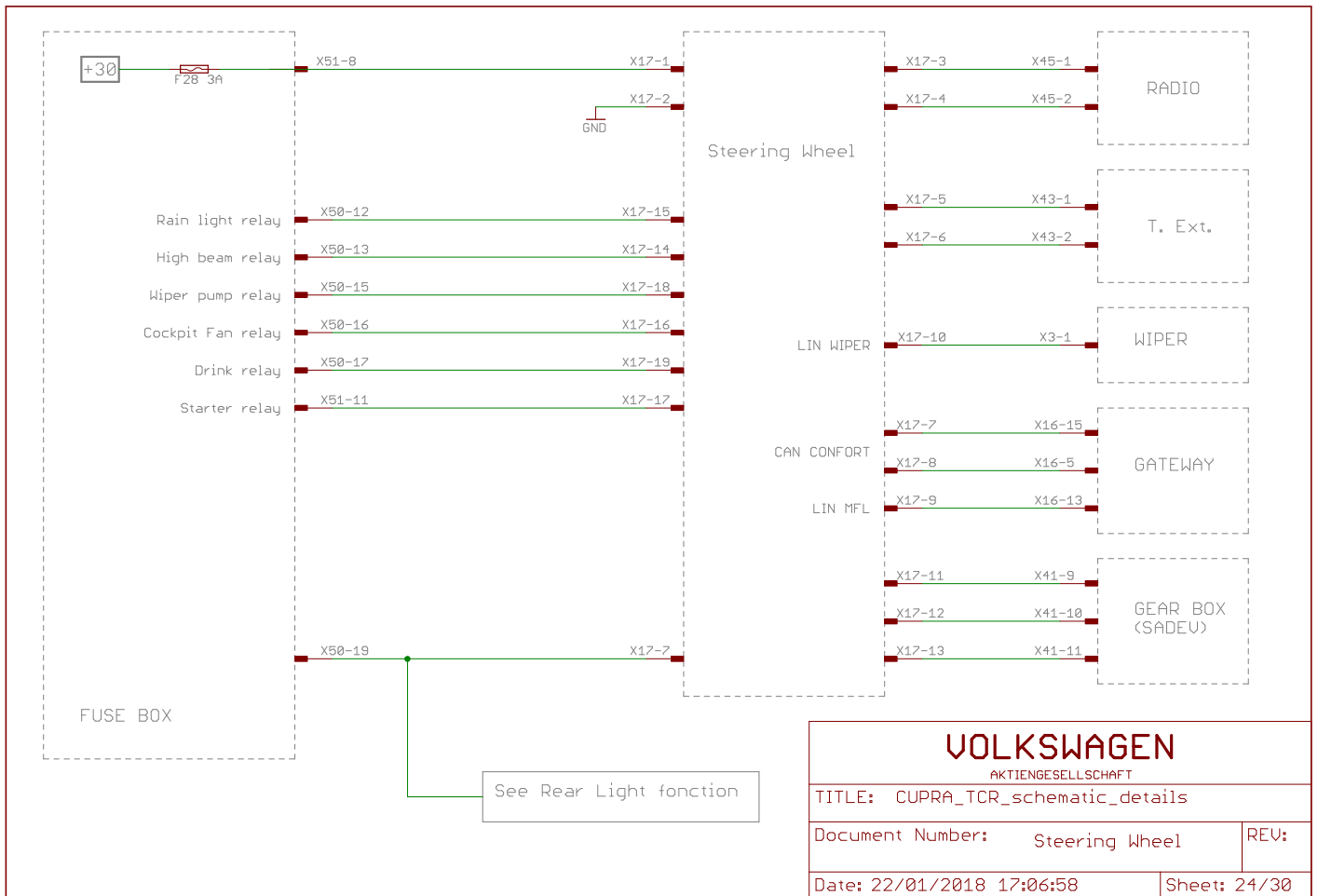
AKTIENGESELLSCHAFT

TITLE: CUPRA_TCR_schematic_details

Document Number: Auxiliar / Diagnostic REV:

Date: 22/01/2018 17:06:58

Sheet: 23/30



VOLKSWAGEN

AKTIENGESELLSCHAFT

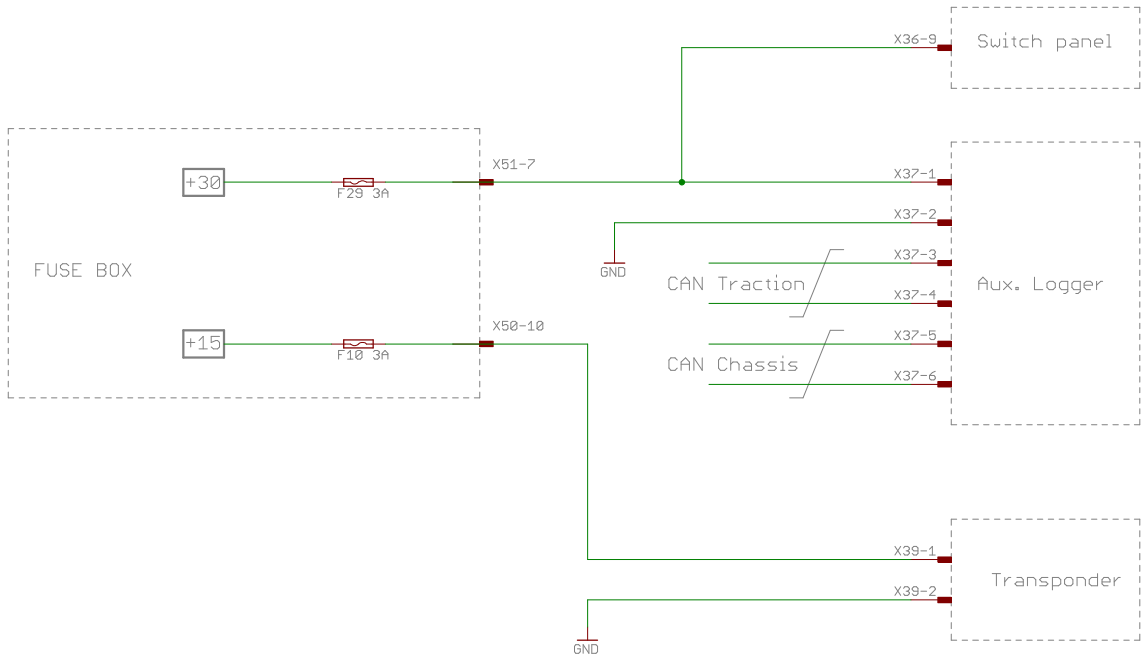
TITLE: CUPRA_TCR_schematic_details

Document Number: Steering Wheel

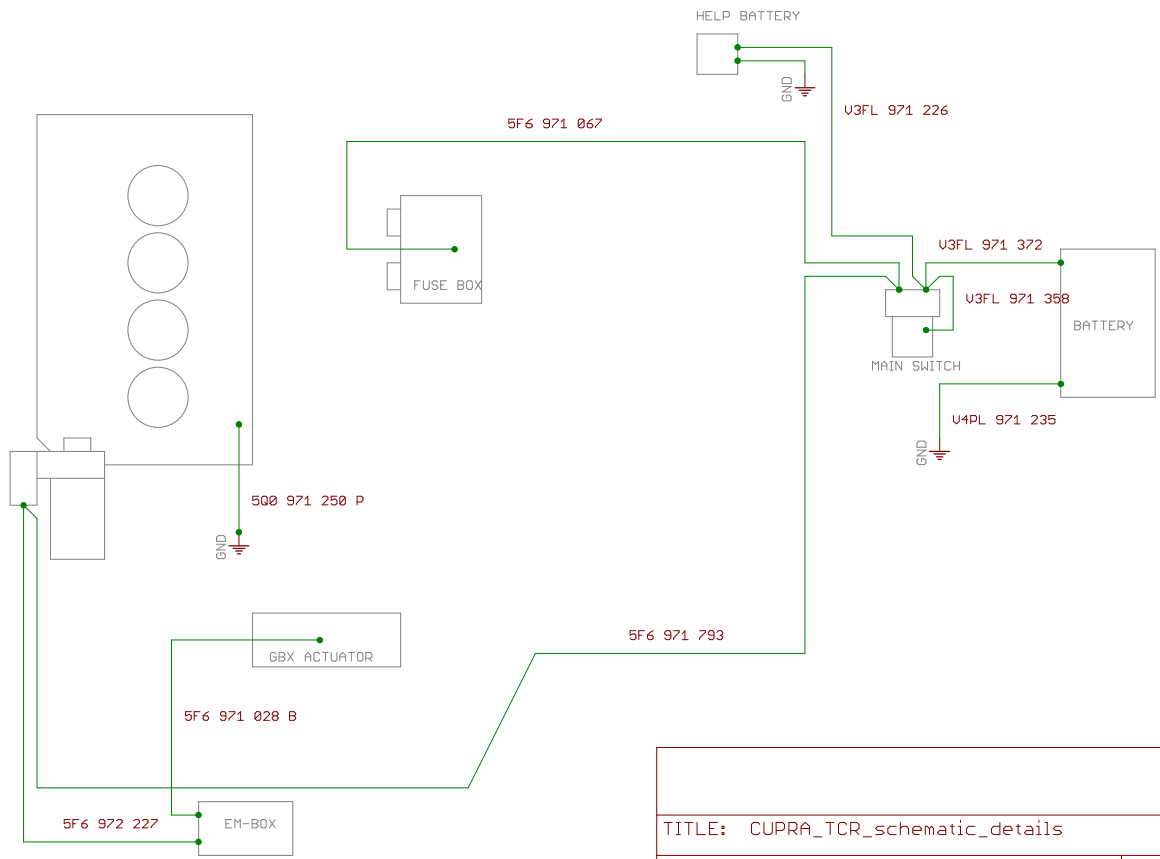
REV:

Date: 22/01/2018 17:06:58

Sheet: 24/30



VOLKSWAGEN	
<small>AKTIENGESELLSCHAFT</small>	
TITLE: CUPRA_TCR_schematic_details	
Document Number: Aux. Logger / Transponder	REV:
Date: 22/01/2018 17:06:58	Sheet: 25/30



TITLE: CUPRA_TCR_schematic_details	
Document Number: POWER CABLES LAYOUT	REV:
Date: 22/01/2018 17:06:58	Sheet: 26/30

KSK

X1	Front Fan	1K0 906 234
X2	Wiper pump	1J0 973 722
X3	Wiper	8K0 973 724
X4	Starter	1K0 973 751
X5	Alternator	4H0 973 714
X6	Lambda	8K0 973 705 G
X7	EM-Box	
X8	Power steering coupling	4H0 973 713
X9	Differential unit	8D0 973 734
X10	Fuel pump module	6N0 973 755
X11	Fuel level	4H0 973 713 G
X12	DSG	1J0 927 320
X13	ABS	3C0 973 038 A
X14	Engine coupling	500 973 737
X15	DSG gear lever	1k0 972 776
X16	Gateway	8E0 972 420
X17	Steering wheel	2-794615-4
X18	FL wheelspeed sensor	1J0 972 702
X19	FR wheelspeed sensor	1J0 972 702
X20	RL wheelspeed sensor	1J0 972 702
X21	RR wheelspeed sensor	1J0 972 702
X22	Diagnostic	3A0 972 695 A
X23	Foot throttle	8K0 973 706
X24	Front Right light	3C0 973 737
X25	Front Left light	3C0 973 737
X26	Rear right light	4B0 973 732
X27	Rear left light	4B0 973 732
X28	Rear gate	1J0 972 704
X29	Drink	1J0 973 722
X30	Left door	8K0 972 701
X31	Auxiliar	4D0 972 704
X32	ECU	7P6 906 971 A

X33	Fuel pump	AS6 10-98 SN
X34	External main switch	Faston 6.35
X35	Black box	8E0 972 416
X36	Switch panel	1-794617-2
X37	Aux. data logger	1J0 972 723
X38	MXG coupling	1-794615-6
X39	Transponder	357 972 752
X40	AIN8	1J0 972 703
X41	Sadev coupling	3C0 973 737
X42	Main switch coil	1J0 972 711
X43	Ext. temperature sensor	8K0 973 702
X44	P. Oil	4D0 971 993 A
X45	Radio	Super Seal
X46	P. Fuel	4D0 971 993 A
X47	Cockpit fan	1J0 972 752
X48	Temp. sensor	8K0 973 702
X50	Fusebox 1	064318-1011
X51	Fusebox 2	064318-3019
X52	IgnCoil out	1J0 972 702
X53	IgnCoil in	1J0 972 712
X54	Fuel pump out	1J0 972 752
X55	Fuel pump in	1J0 972 762

Paddle Shift Wiring

X1	GCU	MX23A34SF1
X2	Eshift	AS6 10-35 SN
X3	KSK coupling	3C0 973 837
X4	Laptop	Farnell 139-0177
X5	Toil GearBox	DT06-2S
X6	Pclutch	4D0 971 993
X7	Gear Potentiometer	8STA1 08-98 SN
X8	Foot Throttle	8STA1x06-35 SN

Tail Light Wiring

X1	KSK coupling	191 972 714
X2	Right Tail Light	4D0 972 704
X3	Left Tail Light	4D0 972 704
X4	Center light	1J0 973 119

VOLKSWAGEN

AKTIENGESELLSCHAFT

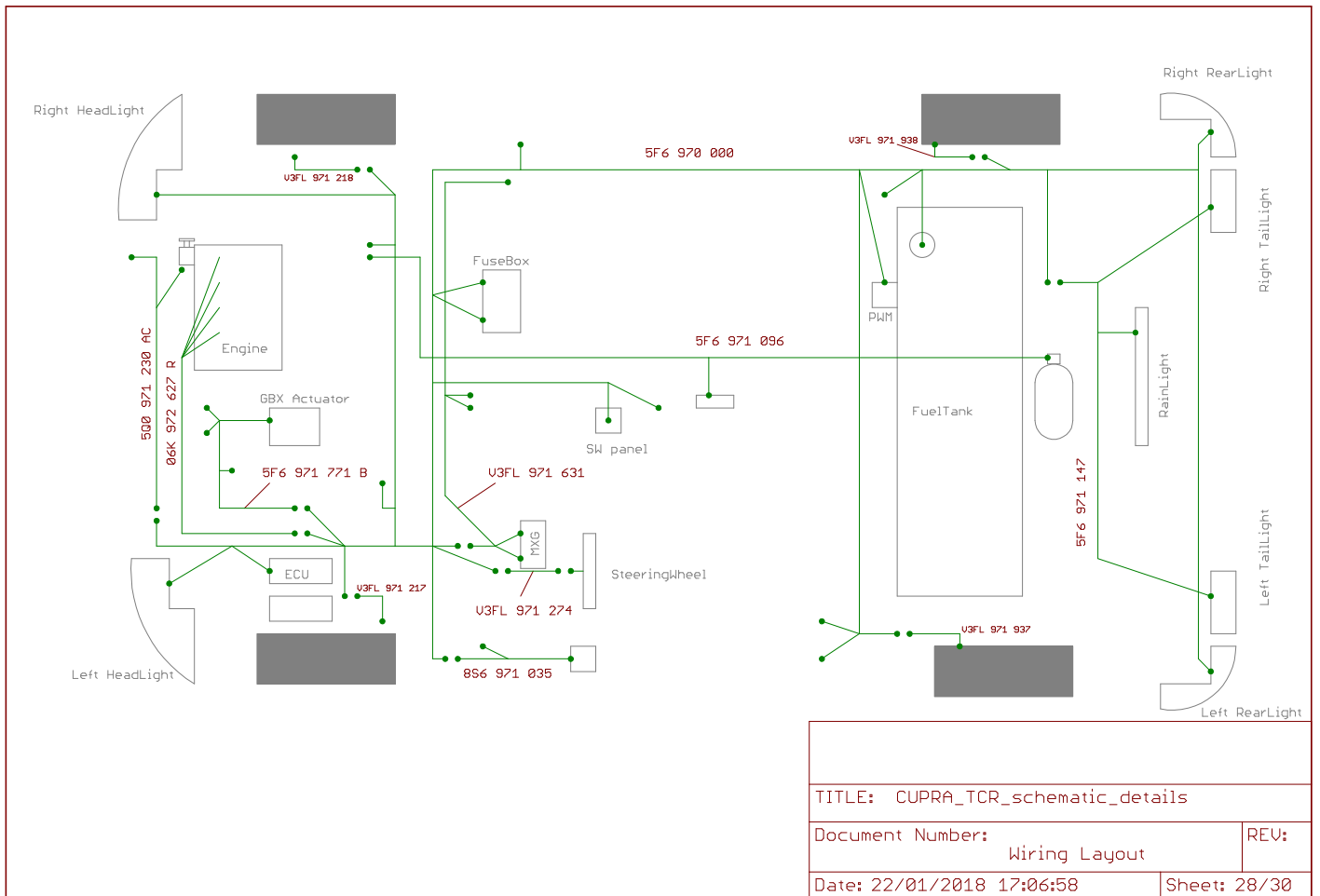
TITLE: CUPRA_TCR_schematic_details

Document Number: Connector list

REV:

Date: 22/01/2018 17:06:58

Sheet: 27/30



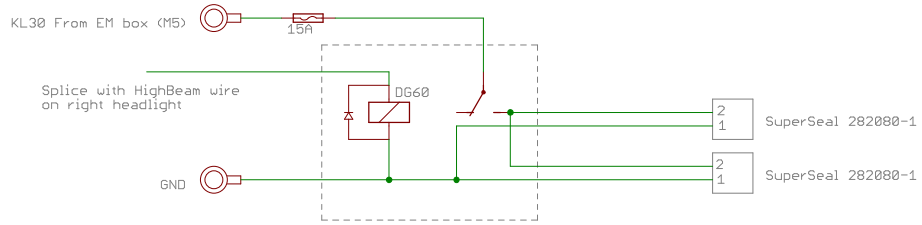
TITLE: CUPRA_TCR_schematic_details

Document Number: Wiring Layout

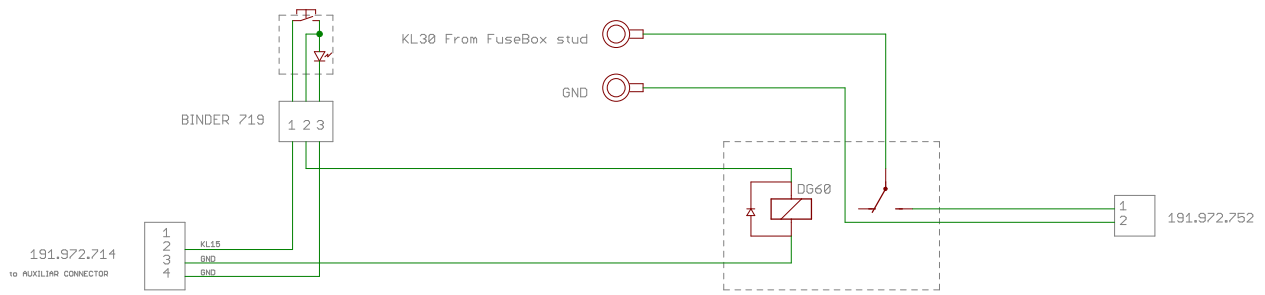
REV:

Date: 22/01/2018 17:06:58

Sheet: 28/30



TITLE: CUPRA_TCR_schematic_details	
Document Number:	Auxiliar HeadLights
Date: 22/01/2018 17:06:58	REV: Sheet: 29/30



TITLE: CUPRA_TCR_schematic_details		
Document Number:	Windscreen heater	REV:
Date: 22/01/2018 17:06:58	Sheet: 30/30	